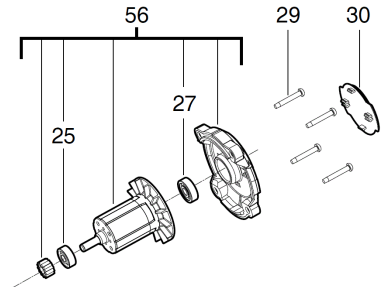
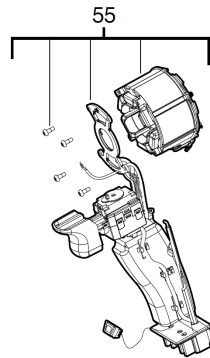
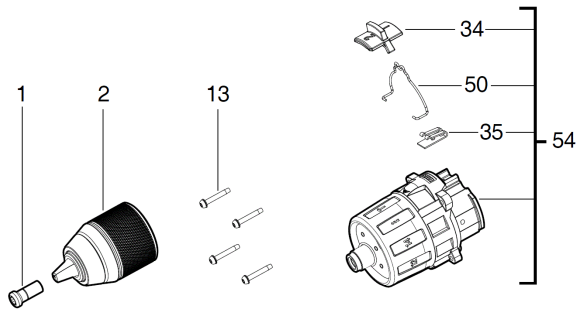
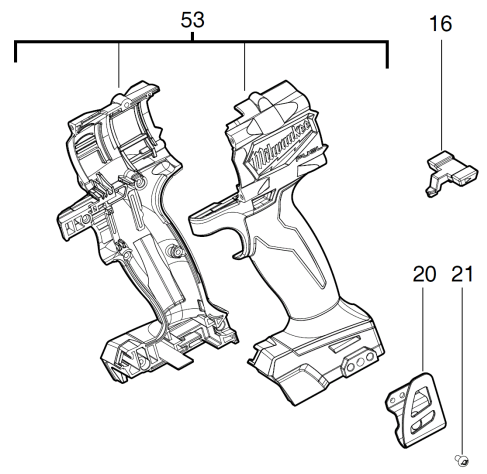
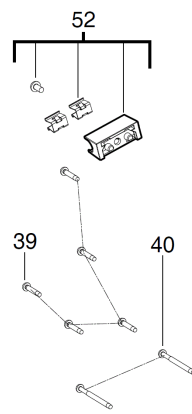
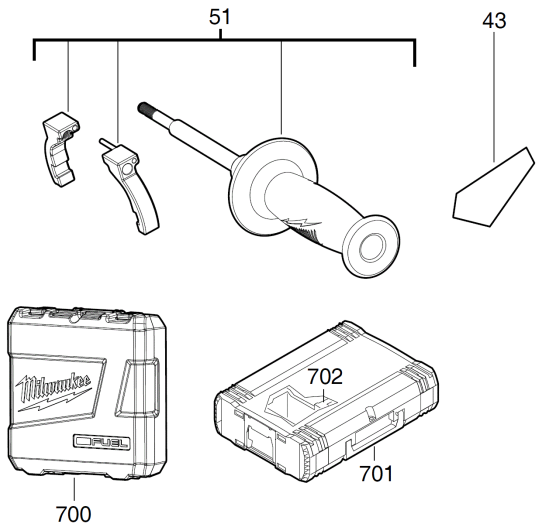


# M18FDD2-502X FUEL DRILL DRIVER IN2

4933464267 - M18FDD2-502X - 4000469105





Position	Quantity	Description	Part number	EAN
0001	1	LOCKING SCREW	4931453214	4002395151875
0002	1	CHUCK	4931479665	4058546394288
0013	4	SCREW	4931465984	4058546272012
0016	1	SLIDE	4931465985	4058546272029
0020	1	HOOK	4931436134	4002395879427
0021	1	SCREW	4931465986	4058546272036
0025	1	BALL BEARING	4931436014	4002395875399
0027	1	BALL BEARING	4931465987	4058546272043
0029	4	SCREW	4931453223	4002395152568
0030	1	BEARING END PLATE	4931465988	4058546272050
0034	1	SWITCH	4931465989	4058546272067
0035	1	SPRING PLATE	4931465990	4058546272074
0039	5	SCREW	4931453227	4002395153206
0040	2	SCREW	4931454852	4058546020262
0043	1	RATING PLATE	4931465991	4058546272081
0050	1	WIRE STRAP	4931465992	4058546272098
0051	1	AUXILIARY HANDLE	4931465993	4058546272104
0052	1	BIT HOLDER	4931465832	4058546239329
0053	1	HOUSING	4931465994	4058546272111
0054	1	GEAR BOX	4931465995	4058546272128
0055	1	ELECTRONIC	4931465996	4058546272135
0056	1	ARMATURE	4931465997	4058546272142
0700	1	CARRYING CASE	4931465998	4058546272159
0701	1	HD Box 1 - 1pc	4932453385	4002395146376
0702	1	INSERT	4931465999	4058546272166